

# Time to open the tools of research

Policy recommendations from the  
**Gathering for Open Science Hardware**



Open hardware for science  
is gaining momentum



# Enabling community science



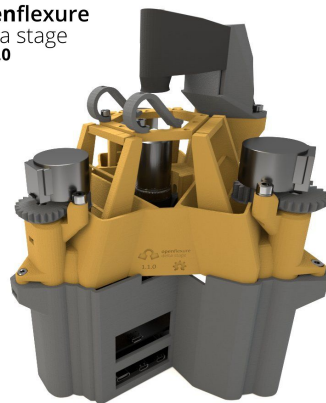
**Audiomoth**, a project by  
Open Acoustic Devices, a  
UK-based company

## Enabling community science



**Audiomoth**, a project by Open Acoustic Devices, a UK-based company

## Local production & repair of science tools



**Open Flexure**, a co-development between University of Bath (UK) & Bongo Tech Labs (Makerspace, Tanzania)

## Enabling community science



**Audiomoth**, a project by Open Acoustic Devices, a UK-based company

## Local production & repair of science tools



**Open Flexure**, a co-development between University of Bath (UK) & Bongo Tech Labs (Makerspace, Tanzania)

## Making research questions visible



**Gorgas tracker**, by the Health Innovation Lab at Universidad Peruana Cayetano Heredia

# Why people make open hardware for science?

- Can't access tools for research
- Need to customize available tools
- Faster, collaborative, better science

# Gathering for Open Science Hardware



Making open science hardware  
ubiquitous by 2025



# Why are we here? Why policy matters?

- Infrastructure and institutions are critical
- Because hardware is HARD
- But we're getting close!



# How can we collaborate?

- Three policy briefs
- TTOs, International Orgs., Science Funders
- Make this happen & Improve our tools

Visit >>> [openhardware.science](https://openhardware.science)

Join us >>> [forum.openhardware.science](https://forum.openhardware.science)

Matrix >>> [#GOSH:matrix.org](https://matrix.org/#GOSH)

Twitter >>> [@goshcommunity](https://twitter.com/goshcommunity)



Julieta Arancio, Drexel University/University of Bath  
Alexandre Hannud Abdo, LISIS, Univ. Gustave Eiffel